

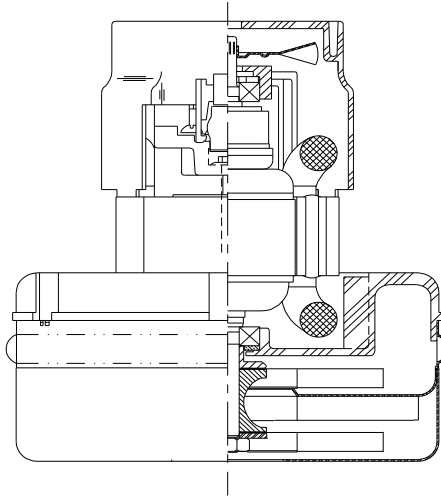


DESCRIPTION

- Two stage
- 120 volts
- Reduced Input Current
- 5.7"/145 mm diameter
- Double ball bearings
- Single speed
- Peripheral bypass discharge
- Thermoset fan end bracket
- Aluminum commutator bracket

DESIGN APPLICATION

- Equipment operating in environments requiring separation of working air from motor ventilating air
- Designed to handle clean, dry, filtered air only



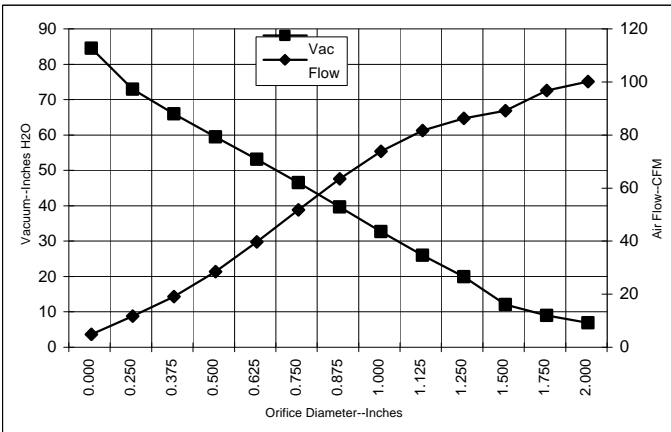
SPECIAL FEATURES

- Suitable for 120 volt AC operation, 50/60 Hz
- UL recognized, category PRGY2 (E47185)
- CSA certified, class 1611 01 (LR31393)
- Provision for grounding
- Skeleton-frame design
- The Lamb Electric vacuum motor line offers a wide range of performance levels to meet design needs

TYPICAL MOTOR PERFORMANCE.*

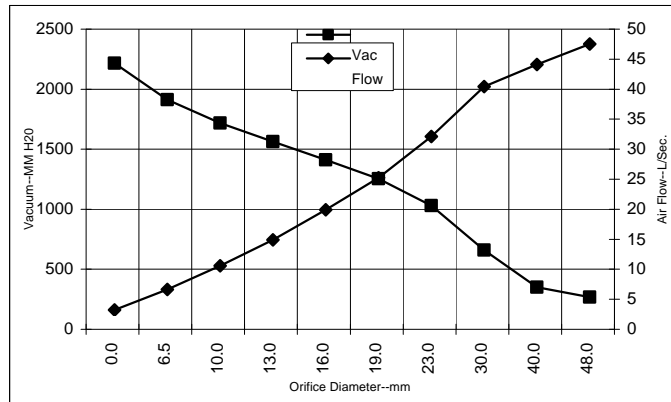
(At 120 volts, 60Hz, test data is corrected to standard conditions of 29.92 Hg, 68° F.)

ASTM DATA



Orifice (Inches)	Amps	Watts (In)	RPM	Vac (In.H ₂ O)	Flow (CFM)	Air Watts
2.000	6.50	750	20740	3.3	95.3	37
1.750	6.50	751	20740	5.3	91.9	57
1.500	6.60	765	20550	8.4	84.3	83
1.250	6.80	783	20170	16.3	81.4	156
1.125	6.80	789	20160	22.3	76.8	201
1.000	6.87	791	20180	29.0	69.0	235
0.875	6.74	779	20360	36.0	58.6	248
0.750	6.48	752	20740	42.9	46.9	237
0.625	6.14	715	21320	49.5	34.9	203
0.500	5.75	672	22100	55.8	23.6	155
0.375	5.31	623	23270	62.3	14.2	104
0.250	4.90	576	24430	69.3	6.9	56
0.000	4.56	538	25380	80.9	0.0	0

METRIC DATA



Orifice (mm)	Amps	Watts (In)	RPM	Vac (mm H ₂ O)	Flow (L/Sec)	Air Watts
48.0	6.5	750	20740	106	44.3	46
40.0	6.6	761	20607	190	40.9	76
30.0	6.8	786	20165	498	37.2	181
23.0	6.8	782	20315	870	28.9	245
19.0	6.5	751	20752	1093	22.0	236
16.0	6.2	716	21297	1251	16.7	205
13.0	5.8	676	22022	1401	11.7	160
10.0	5.4	630	23095	1558	7.4	112
6.5	4.9	578	24372	1751	3.4	59
0.0	4.6	538	25380	2055	0.0	0

Note: Metric performance data is calculated from the ASTM data above.

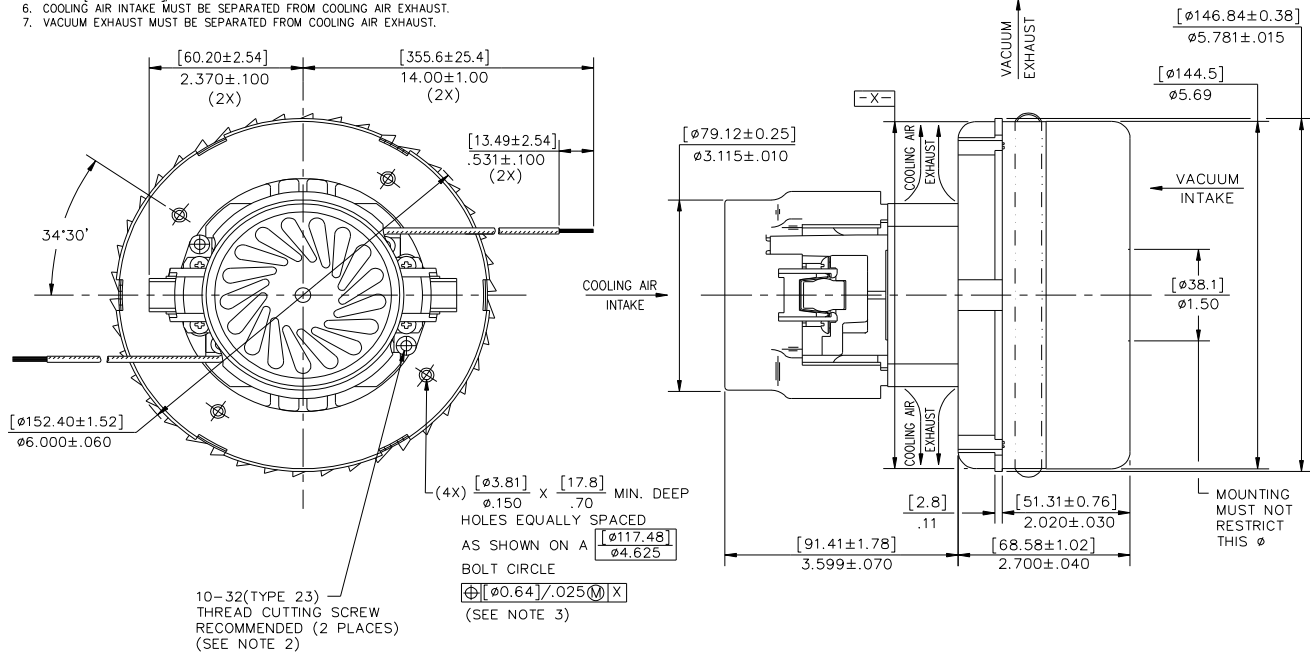
* Data represents performance of a typical motor sampled from a large production quantity. Individual motor data may vary due to normal manufacturing variations.

Test Specs:	120 volts	Minimum Sealed Vacuum:	71.0"	ORIFICE:	7/8 "	Minimum Vacuum:	32.0"	Maximum Watts:	842
--------------------	-----------	-------------------------------	-------	-----------------	-------	------------------------	-------	-----------------------	-----

DIMENSIONS

NOTES:

1. LEADS: 18GA STRANDED, LEADS CAN BE ANY COLOR EXCEPT GREEN OR GREEN WITH YELLOW STRIPE.
2. GROUNDING OR EARTHING: USE HOLES AS INDICATED FOR GROUNDING OR EARTHING. REFER TO APPROPRIATE LISTING OR REGULATORY AGENCY FOR PROPER METHOD OF GROUNDING OR EARTHING.
3. RECOMMENDED SCREW SIZE 10-16 TYPE BT OR 25 THREAD CUTTING SCREW. MAXIMUM PENETRATION [17.40]/.685.
4. MOTOR IDENTIFICATION: MANUFACTURER'S NAME, MODEL NUMBER, VOLTAGE, FREQUENCY, INSPECTOR'S CODE, DATE OF MANUFACTURE, AGENCY RECOGNITION CODE, PLANT LOCATION CODE, PATENT INFORMATION. PATENTS APPLY TO THIS MOTOR: 5482378; 5736805; 4669952; 4684835. AND MADE IN THE USA.
5. ALLOW [0.0016 SQ M]/2.5 SQ IN FOR COOLING AIR INTAKE.
6. COOLING AIR INTAKE MUST BE SEPARATED FROM COOLING AIR EXHAUST.
7. VACUUM EXHAUST MUST BE SEPARATED FROM COOLING AIR EXHAUST.



IMPORTANT NOTE: Pictorial and dimensional data are subject to change without notice. Contact factory for current revision levels.

WARNING - When using AMETEK Lamb Electric bypass motors in machines that come in contact with foam, liquid (including water), or other foreign substances, the machine must be designed and constructed to prevent those substances from reaching the fan system, motor housing, and electrical components. Lamb Electric vacuum motors other than hazardous duty models should not be applied in machines that come in contact with dry chemicals or other volatile materials. Failure to observe these precautions could cause flashing (depending on volatility) or electrical shock which could result in property damage and severe bodily injury, including death in extreme cases. All applications incorporating Lamb Electric motors should be submitted to appropriate organizations or agencies for testing specifically related to the safety of your equipment.

AMETEK/Lamb Electric Division
 627 Lake Street
 Kent, Ohio 44240
 U.S.A.
 Tel: (330) 673-3451
 Fax: (330) 673-8994

Ametek GmbH
 P. O. Box 1251
 D-71667 Marbach
 Germany
 Phone: + 49-714-484-9512
 Fax: + 49-714-484-9513

AMETEK/Singapore Private Limited
 10 Ang Mo Kio Street 65
 # 05-12 Techpoint
 Singapore 2056
 Tel: + 65-484-2388
 Fax: + 65-481-6588