

LAMB ELECTRIC

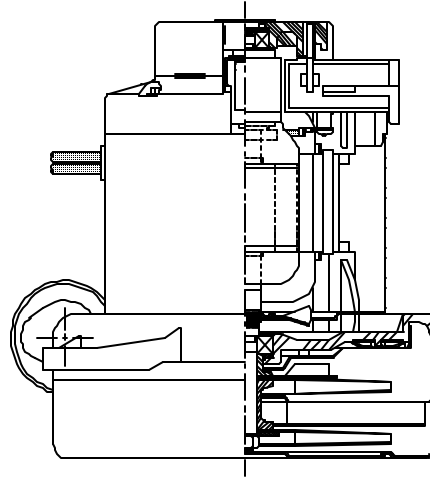
Model: 117504-13

DESCRIPTION

- Two stage
- 24 volts
- 7.2"/183 mm diameter
- Double ball bearings
- Single speed
- Tangential bypass discharge
- Thermoset fan end bracket
- Thermoset commutator bracket

DESIGN APPLICATION

- Equipment operating in environments requiring separation of working air from motor ventilating air
- Designed to handle clean, dry, filtered air only

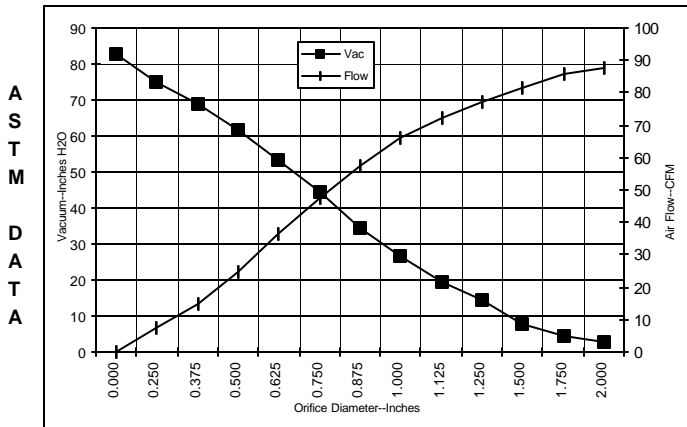


SPECIAL FEATURES

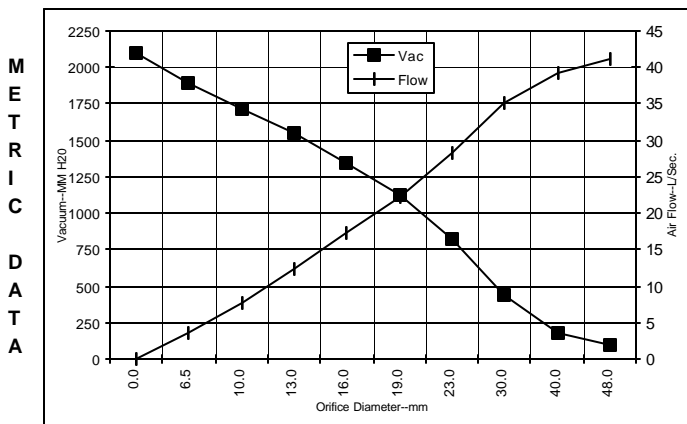
- Suitable for 24 volt DC operation
- UL recognized, category PRGY2 (E47185)
- 10 mm shaft and bearing system
- Epoxy painted fan case
- Patented air seal bearing construction. U.S. Patent #4,088,424
- The Lamb Electric vacuum motor line offers a wide range of performance levels to meet design needs

TYPICAL MOTOR PERFORMANCE.*

(At 24 volts DC, test data is corrected to standard conditions of 29.92 Hg, 68° F.)



Orifice (Inches)	Amps	Watts (In)	RPM	Vac (In.H ₂ O)	Flow (CFM)	Air Watts
2.000	37.0	888	16020	2.8	87.8	29
1.750	37.0	887	15997	4.6	85.9	47
1.500	36.9	887	16025	7.9	81.6	76
1.250	36.9	885	16030	14.5	76.9	131
1.125	36.9	886	16060	19.7	72.5	168
1.000	36.8	882	16095	26.4	65.9	205
0.875	36.4	874	16190	34.6	57.5	234
0.750	35.7	857	16467	44.3	47.6	248
0.625	33.7	810	16777	53.4	36.2	227
0.500	31.5	757	17340	61.6	24.8	180
0.375	29.1	698	18067	68.7	14.9	120
0.250	26.6	639	18757	74.8	7.2	63
0.000	25.1	602	19585	82.7	0.0	0



Orifice (mm)	Amps	Watts (In)	RPM	Vac (mm H ₂ O)	Flow (L/Sec)	Air Watts
48.0	37.0	888	16010	91	41.0	37
40.0	36.9	887	16017	176	39.1	67
30.0	36.9	886	16047	441	35.2	151
23.0	36.5	876	16166	827	28.1	227
19.0	35.7	856	16473	1130	22.4	248
16.0	33.8	812	16765	1347	17.3	228
13.0	31.8	762	17284	1544	12.2	184
10.0	29.5	707	17958	1718	7.7	129
6.5	26.7	642	18723	1892	3.6	66
0.0	25.1	602	19585	2101	0.0	0

Note: Metric Performance data is calculated from the ASTM data above.

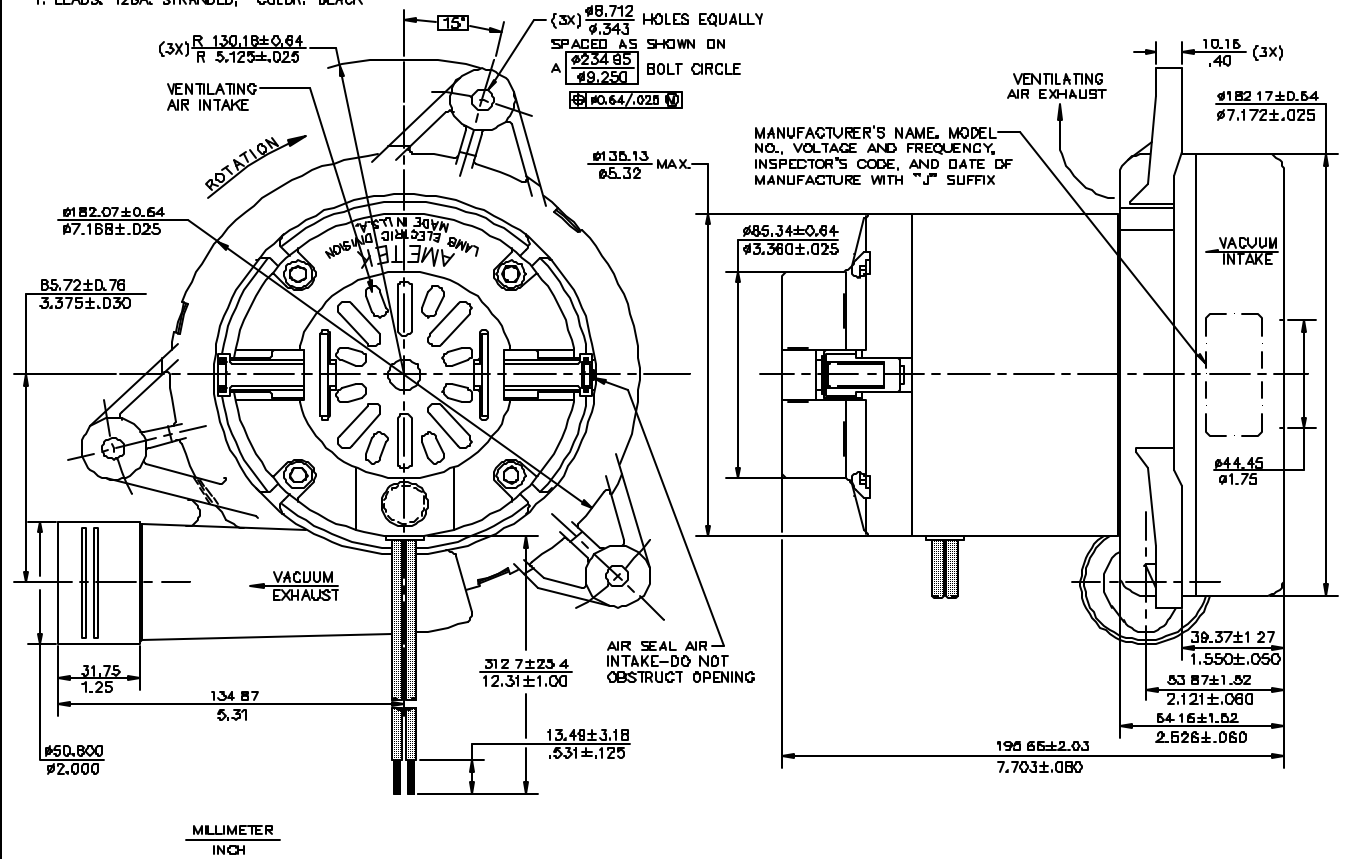
* Data represents performance of a typical motor sampled from a large production quantity. Individual motor data may vary due to normal manufacturing variability.

Test Specs:	24 volts	Minimum Sealed Vacuum:	75.0"	ORIFICE:	7/8 "	Minimum Vacuum:	27.0"	Maximum Watts:	975
-------------	----------	------------------------	-------	----------	-------	-----------------	-------	----------------	-----

DIMENSIONS

NOTES:

1. LEADS: 12GA. STRANDED, COLOR. BLACK



IMPORTANT NOTE: Pictorial and dimensional data are subject to change without notice. Contact factory for current revision levels.

WARNING - When using AMETEK Lamb Electric bypass motors in machines that come in contact with foam, liquid (including water), or other foreign substances, the machine must be designed and constructed to prevent those substances from reaching the fan system, motor housing, and electrical components. Lamb Electric vacuum motors other than hazardous duty models should not be applied in machines that come in contact with dry chemicals or other volatile materials. Failure to observe these precautions could cause flashing (depending on volatility) or electrical shock which could result in property damage and severe bodily injury, including death in extreme cases. All applications incorporating Lamb Electric motors should be submitted to appropriate organizations or agencies for testing specifically related to the safety of your equipment.

AMETEK/Lamb Electric Division
627 Lake Street
Kent, Ohio 44240
U.S.A.
Tel: (330) 673-3451
Fax: (330) 673-8994

Ametek GmbH
Weilimdorfer Str. 47
D-70825 Korntal-Munchingen
Germany
Phone: + 49-711-838-7876
Fax: + 49-711-838-7862

AMETEK/Singapore Private Limited
10 Ang Mo Kio Street 65
05-12 Techpoint
Singapore 2056
Tel: + 65-484-2388
Fax: + 65-481-6588