



# AMETEK LAMB ELECTRIC

## Product Bulletin

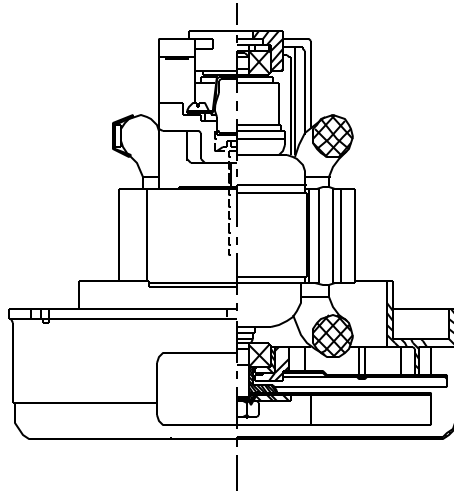
Model: 117433-00

### DESCRIPTION

- One stage
- 120 volts
- 5.7" / 145 mm diameter
- Ball / sleeve bearings
- Single speed
- Thru Flow discharge
- Thermoset fan end bracket
- Aluminum commutator bracket

### DESIGN APPLICATION

- Equipment operating in environments not requiring separation of working air from motor ventilating air
- Designed to handle clean, dry, filtered air only

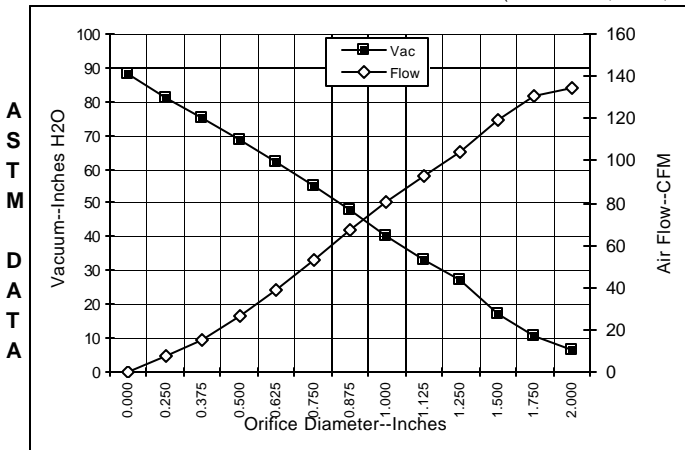


### SPECIAL FEATURES

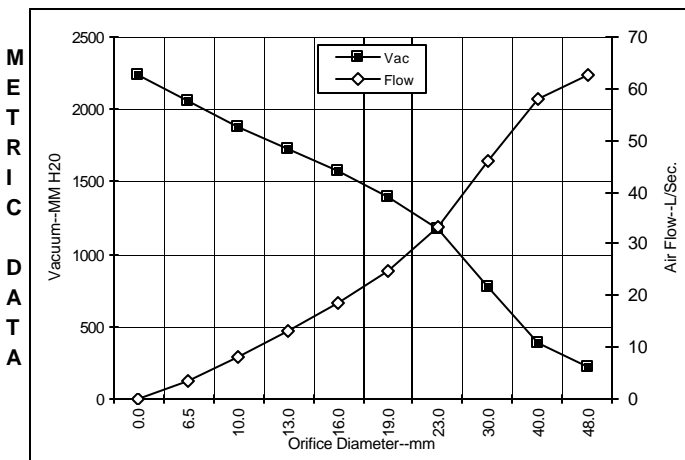
- Suitable for 120 volt AC operation, 50/60 Hz
- UL recognized, category PRGY2 (E47185)
- CSA certified, class 1611 01 (LR31393)
- Provision for grounding
- Skeleton frame design
- High efficiency fan bracket
- The Lamb vacuum motor line offers a wide range of performance levels to meet design needs

### TYPICAL MOTOR PERFORMANCE.\*

(At 120 volts, 60Hz, test data is corrected to standard conditions of 29.92 Hg, 68° F.)



Orifice (Inches)	Amps	Watts (In)	RPM	Vac (In.H <sub>2</sub> O)	Flow (CFM)	Air Watts
2.000	10.5	1204	24920	6.8	134.8	107
1.750	10.4	1198	24910	10.9	130.2	167
1.500	10.4	1193	24980	17.2	119.3	241
1.250	10.2	1171	25250	27.4	104.0	335
1.125	10.0	1147	25530	33.2	92.7	362
1.000	9.6	1110	25940	40.4	80.7	384
0.875	9.2	1065	26520	47.9	67.2	379
0.750	8.7	1007	27280	55.1	52.9	342
0.625	8.0	936	28260	62.0	39.0	284
0.500	7.4	864	29490	68.6	26.2	212
0.375	6.7	791	30880	75.2	15.5	137
0.250	6.2	729	32370	81.2	7.2	68
0.000	5.8	685	33550	88.4	0.0	0



Orifice (mm)	Amps	Watts (In)	RPM	Vac (mm H <sub>2</sub> O)	Flow (L/Sec)	Air Watts
48.0	10.4	1201	24916	218	62.7	134
40.0	10.4	1195	24959	389	57.8	219
30.0	10.1	1158	25404	777	46.1	350
23.0	9.3	1076	26375	1170	33.3	380
19.0	8.7	1006	27300	1402	24.8	341
16.0	8.1	939	28221	1568	18.6	287
13.0	7.4	871	29367	1726	13.0	219
10.0	6.8	802	30672	1884	8.1	148
6.5	6.2	732	32296	2056	3.6	72
0.0	5.8	685	33550	2244	0.0	0

Note: Metric performance data is calculated from the ASTM data above.

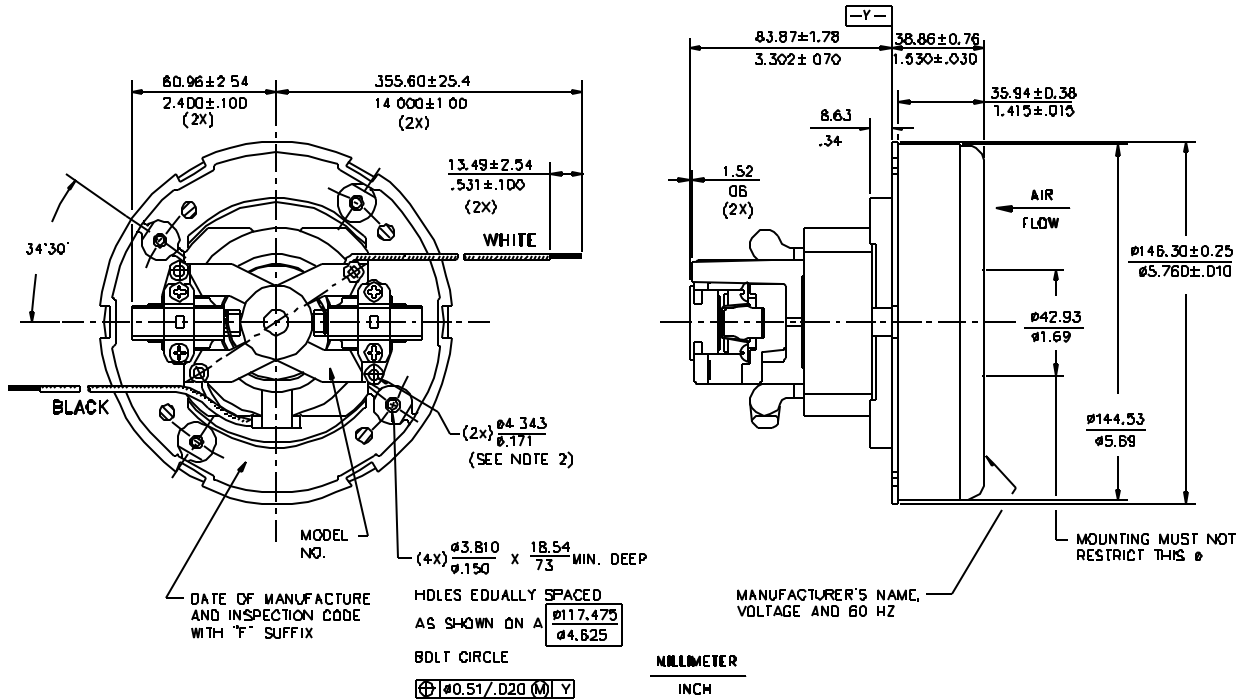
\* Data represents performance of a typical motor sampled from a large production quantity. Individual motor data may vary to normal manufacturer specifications.

Test Specs:	120 V	Minimum Sealed Vacuum: 78"	ORIFICE: 7/8"	Minimum Vacuum: 43.0"	Maximum Watts: 1100
-------------	-------	----------------------------	---------------	-----------------------	---------------------

DIMENSIONS

NOTES:

1. LEADS: 18GA STRANDED.
2. GROUNDING OR EARTHING PROVISIONS: USE HOLES AS INDICATED FOR GROUNDING OR EARTHING. REFER TO APPROPRIATE LISTING OR REGULATORY AGENCY FOR PROPER METHOD OF GROUNDING OR EARTHING.



**IMPORTANT NOTE:** Pictorial and dimensional data are subject to change without notice. Contact factory for current revision levels.

**WARNING** - Ametek/Lamb Electric thru-flow vacuum motors must never be used in applications in which wet or moist conditions are where dry chemicals or other volatile materials are present or where airflow may be restricted or blocked. Such motors are designed to permit the to pass over the electrical winding to cool it. Thus any foam, liquid (including water), dry chemical or other foreign substance will come in contact with conductors which could cause combustion (depending on volatility) or electrical shock. Failure to observe these precautions could result in property and severe personal injury, including death in extreme cases. All applications incorporating Lamb motors should be submitted to Underwriters Laboratories or other appropriate organizations or agencies for testing specifically related to the safety of your equipment.

**AMETEK/Lamb Electric Division**  
 627 Lake Street  
 Kent, Ohio 44240  
 U.S.A.  
 Tel: (330) 673-3451 Fax: (330) 673-8994  
 www.lambelectric.com