

## LAMB ELECTRIC

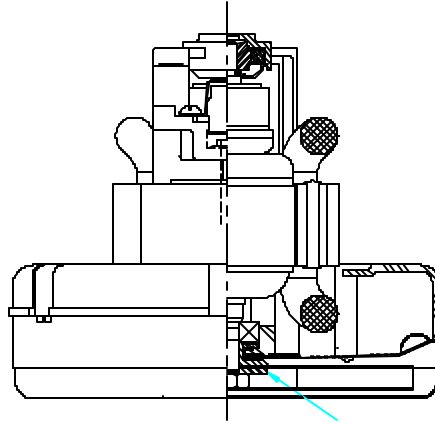
**Model: 117212-50**

### DESCRIPTION

- One stage
- 240 volts
- 5.7"/145 mm diameter
- Ball/sleeve bearings
- Single speed
- Thru-flow discharge
- Aluminum commutator bracket

### DESIGN APPLICATION

- Equipment operating in environments not requiring separation of working air from motor ventilating air
- Designed to handle clean, dry, filtered air only

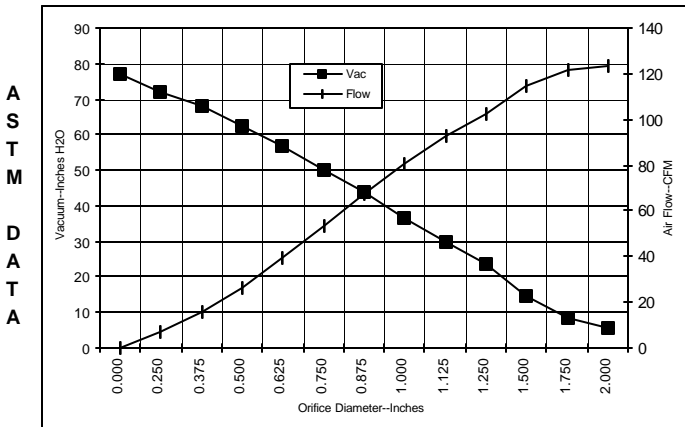


### SPECIAL FEATURES

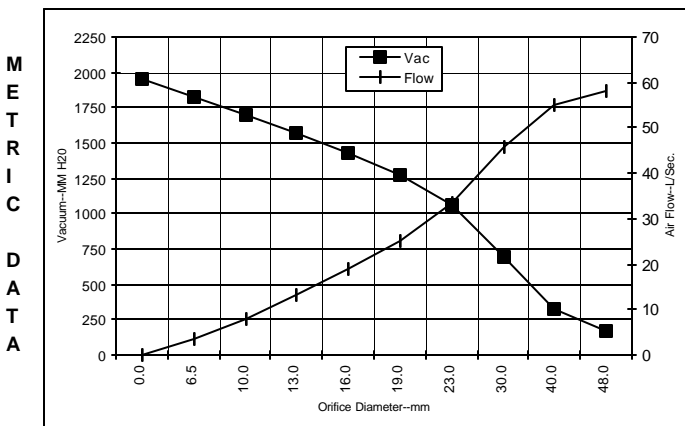
- Suitable for 240 volt AC operation, 50/60 Hz
- UL recognized, category PRGY2 (E47185)
- Skeleton-frame design
- The Lamb Electric vacuum motor line offers a wide range of performance levels to meet design needs

### TYPICAL MOTOR PERFORMANCE.\*

(At 240 volts, 60Hz, test data is corrected to standard conditions of 29.92 Hg, 68° F.)



Orifice (Inches)	Amps	Watts (In)	RPM	Vac (In.H2O)	Flow (CFM)	Air Watts
2.000	5.2	1112	23884	5.4	123.6	78
1.750	5.2	1114	23862	8.5	121.8	127
1.500	5.2	1113	23873	14.6	114.9	197
1.250	5.2	1108	23960	23.9	102.2	288
1.125	5.1	1097	24142	30.0	92.6	327
1.000	4.9	1077	24494	36.5	80.8	347
0.875	4.7	1050	24908	43.8	67.7	349
0.750	4.5	1007	25517	50.2	53.2	314
0.625	4.2	943	26316	56.6	39.3	261
0.500	3.9	879	27241	62.6	26.4	194
0.375	3.6	817	28168	67.9	15.5	124
0.250	3.4	767	28984	71.8	7.1	60
0.000	3.2	727	29720	76.9	0.0	0



Orifice (mm)	Amps	Watts (In)	RPM	Vac (mm H2O)	Flow (L/Sec)	Air Watts
48.0	5.2	1113	23874	171	58.0	100
40.0	5.2	1113	23870	324	55.2	176
30.0	5.1	1102	24060	692	45.7	309
23.0	4.8	1057	24805	1066	33.5	349
19.0	4.5	1006	25533	1278	25.0	313
16.0	4.2	946	26284	1431	18.8	263
13.0	3.9	885	27149	1575	13.1	201
10.0	3.6	826	28029	1704	8.1	135
6.5	3.4	770	28943	1819	3.5	63
0.0	3.2	727	29720	1953	0.0	0

Note: Metric performance data is calculated from the ASTM data above.

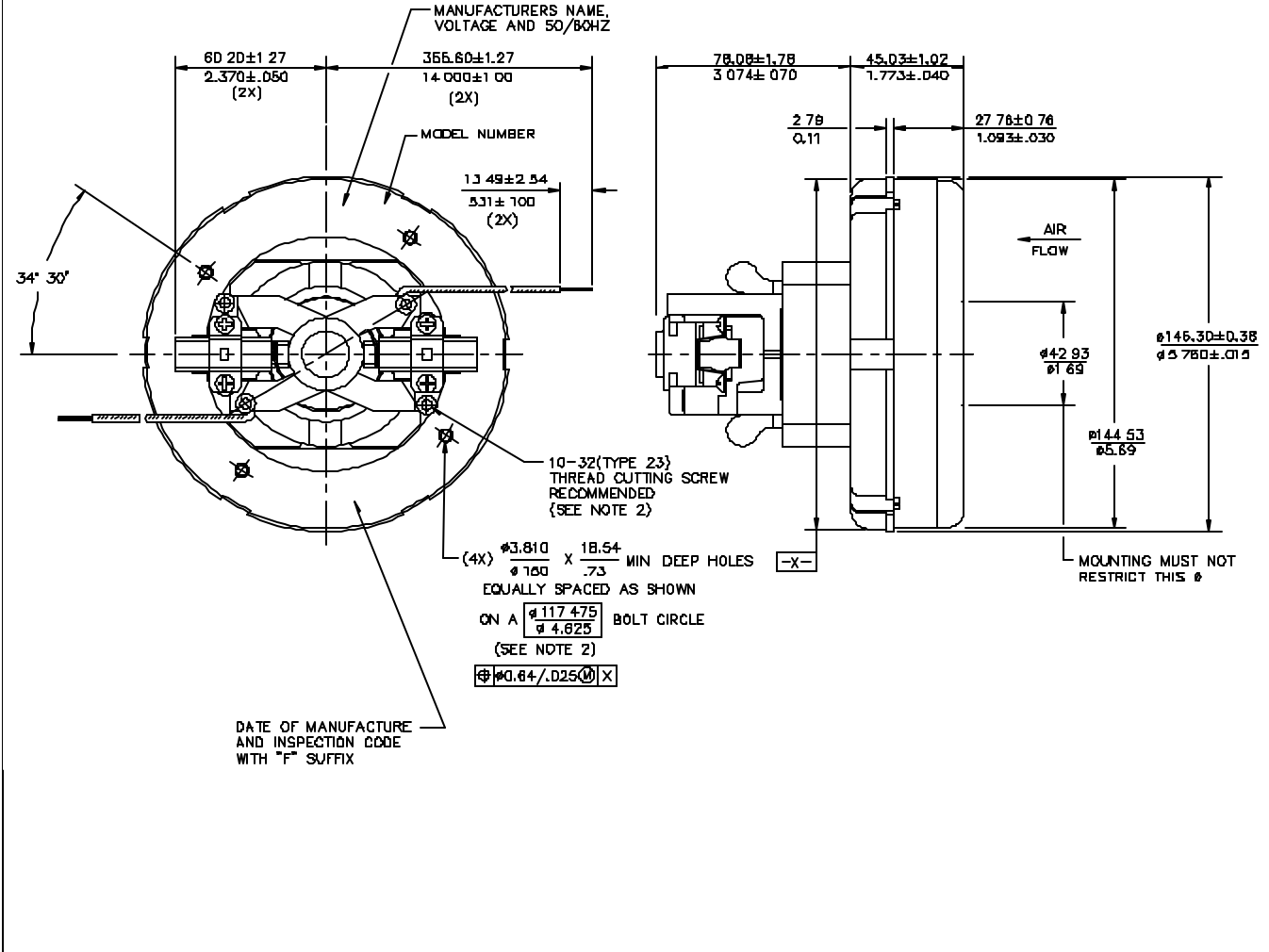
\* Data represents performance of a typical motor sampled from a large production quantity. Individual motor data may vary due to normal manufacturing variability.

Test Specs:	230 volts	Minimum Sealed Vacuum:	64.0"	ORIFICE:	7/8"	Minimum Vacuum:	36.0"	Maximum Watts:	1035
-------------	-----------	------------------------	-------	----------	------	-----------------	-------	----------------	------

**DIMENSIONS**

**NOTES:**

1. LEADS: 18GA STRANDED LEADS CAN BE ANY COLOR EXCEPT GREEN OR GREEN WITH YELLOW STRIPE
2. GROUNDING OR EARTHING PROVISIONS USE HOLES AS INDICATED FOR GROUNDING OR EARTHING  
REFER TO APPROPRIATE LISTING OR REGULATORY AGENCY FOR PROPER METHOD OF GROUNDING OR EARTHING



**IMPORTANT NOTE:** Pictorial and dimensional data are subject to change without notice. Contact factory for current revision levels.

**WARNING -** AMETEK Lamb Electric thru-flow vacuum motors must never be used in applications in which wet or moist conditions are involved, where dry chemicals or other volatile materials are present, or where airflow may be restricted or blocked. Such motors are designed to permit the vacuumed air to pass over the electrical winding to cool it. Thus any foam, liquid (including water), dry chemical, or other foreign substance coming in contact with electrical conductors could cause combustion (depending on volatility) or electrical shock. Failure to observe these precautions could result in property damage and severe personal injury, including death in extreme cases. All applications incorporating Lamb Electric motors should be submitted to Underwriters Laboratories Inc or other appropriate organizations or agencies for testing specifically related to the safety of your equipment.

**AMETEK/Lamb Electric Division**  
 627 Lake Street  
 Kent, Ohio 44240  
 U.S.A.  
 Tel: (330) 673-3451  
 Fax: (330) 673-8994

**Ametek GmbH**  
 Weillimdorfer Str. 47  
 D-70825 Korntal-Munchingen  
 Germany  
 Phone: + 49-711-838-7876  
 Fax: + 49-711-838-7862

**AMETEK/Singapore Private Limited**  
 10 Ang Mo Kio Street 65  
 # 05-12 Techpoint  
 Singapore 2056  
 Tel: + 65-484-2388  
 Fax: + 65-481-6588