

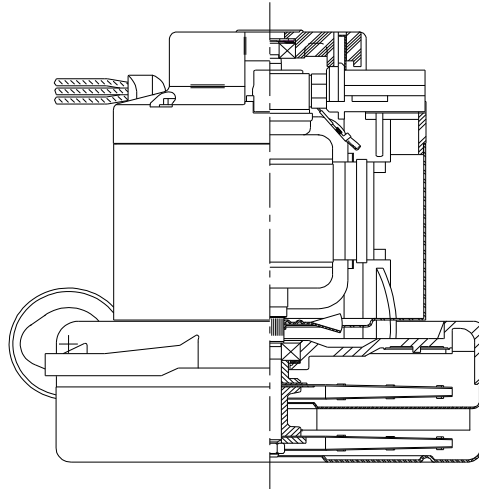


DESCRIPTION

- Two stage
- 230 volts
- 7.2"/183 mm
- Double ball bearings
- Single speed
- Tangential bypass discharge
- Thermoset fan end bracket
- Thermoset commutator bracket
- Non-Loading fan system
- Metal air director band
- Improved brush access

DESIGN APPLICATION

- Equipment operating in environments requiring separation of working air from motor ventilating air
- Designed to handle clean, dry, filtered air only



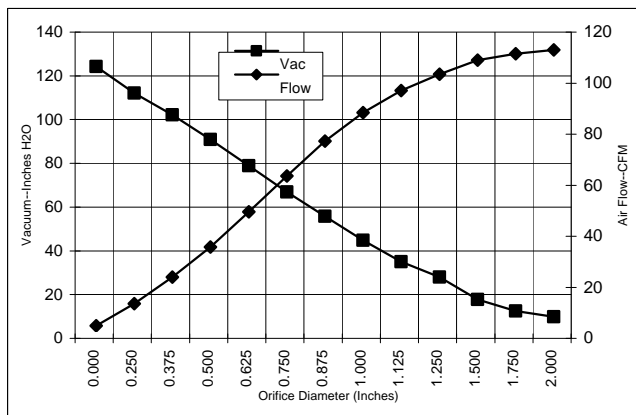
SPECIAL FEATURES

- Suitable for 230 volt AC operation, 50/60 Hz
- UL recognized, category PRGY2 (E47185)
- Provision for grounding
- 10 mm shaft and bearing system
- The Lamb Electric vacuum motor line offers a wide range of performance levels to meet design needs

TYPICAL MOTOR PERFORMANCE.*

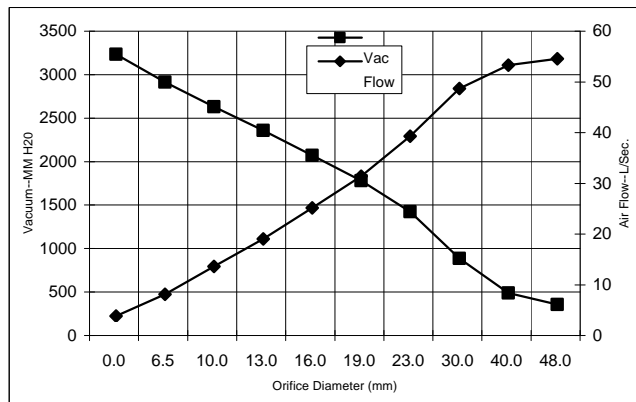
(At 120 volts, 60Hz, test data is corrected to standard conditions of 29.92 Hg, 68° F.)

ASTM DATA



Orifice (Inches)	Amps	Watts (In)	RPM	Vac (In.H ₂ O)	Flow (CFM)	Air Watts
2.000	6.8	1443	16560	4.1	108.1	54
1.750	6.8	1437	16520	6.8	106.6	90
1.500	6.8	1435	16520	12.0	104.1	144
1.250	6.7	1435	16550	22.3	98.5	250
1.125	6.7	1427	16580	29.3	92.2	317
1.000	6.7	1417	16680	39.1	83.5	380
0.875	6.5	1387	16860	50.0	72.3	437
0.750	6.3	1340	17240	61.1	58.7	455
0.625	5.9	1261	17820	73.2	44.6	410
0.500	5.4	1167	18640	85.2	30.8	323
0.375	4.9	1048	19640	96.4	19.0	216
0.250	4.4	968	20640	106.4	8.6	110
0.000	4.2	915	21410	118.5	0.0	0

METRIC DATA



Orifice (mm)	Amps	Watts (In)	RPM	Vac (mm H ₂ O)	Flow (L/Sec)	Air Watts
48.0	6.8	1440	16542	134	50.7	70
40.0	6.8	1436	16520	265	49.5	128
30.0	6.7	1431	16567	664	44.9	287
23.0	6.6	1395	16815	1201	35.4	423
19.0	6.3	1338	17252	1558	27.6	454
16.0	5.9	1264	17797	1847	21.3	412
13.0	5.5	1176	18558	2134	15.2	332
10.0	5.0	1066	19490	2406	9.8	232
6.5	4.4	972	20590	2690	4.3	115
0.0	4.2	915	21410	3010	0.0	0

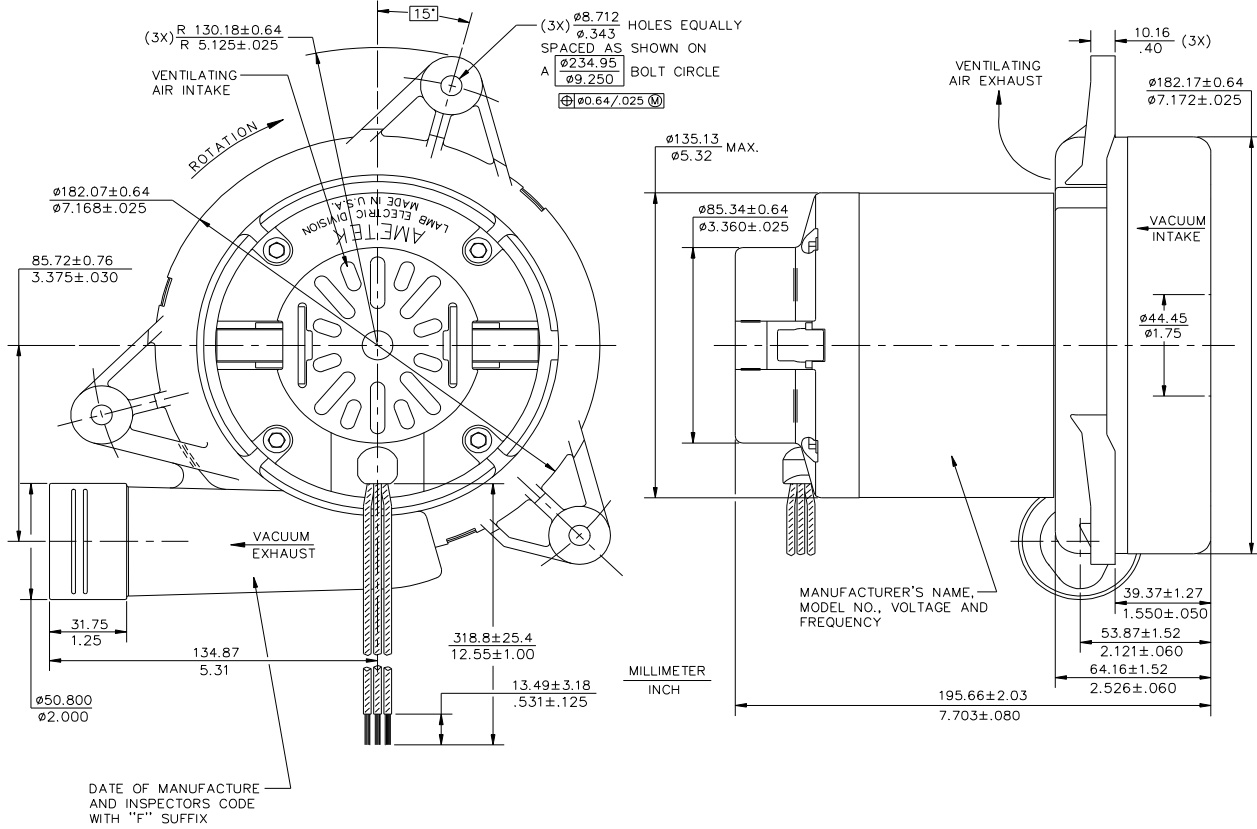
Note: Metric performance data is calculated from the ASTM data above.

* Data represents performance of a typical motor sampled from a large production quantity. Individual motor data may vary due to normal manufacturing variations.

Test Specs:	120 volts	Minimum Sealed Vacuum:	119.0"	ORIFICE:	7/8"	Minimum Vacuum:	49.0"	Maximum Watts:	1670
--------------------	-----------	-------------------------------	--------	-----------------	------	------------------------	-------	-----------------------	------

DIMENSIONS

NOTES:
 1. LEADS: 16GA. STRANDED, ONE BLACK AND ONE WHITE. GROUND LEAD: 18GA. STRANDED; COLOR GREEN WITH YELLOW STRIPE.



IMPORTANT NOTE: Pictorial and dimensional data are subject to change without notice. Contact factory for current revision levels.

WARNING - When using AMETEK Lamb Electric bypass motors in machines that come in contact with foam, liquid (including water), or other foreign substances, the machine must be designed and constructed to prevent those substances from reaching the fan system, motor housing, and electrical components. Lamb Electric vacuum motors other than hazardous duty models should not be applied in machines that come in contact with dry chemicals or other volatile materials. Failure to observe these precautions could cause flashing (depending on volatility) or electrical shock which could result in property damage and severe bodily injury, including death in extreme cases. All applications incorporating Lamb Electric motors should be submitted to appropriate organizations or agencies for testing specifically related to the safety of your equipment.

AMETEK/Lamb Electric Division
 627 Lake Street
 Kent, Ohio 44240
 U.S.A.
 Tel: (330) 673-3451
 Fax: (330) 673-8994

Ametek GmbH
 P. O. Box 1251
 D-71667 Marbach
 Germany
 Phone: + 49-714-484-9512
 Fax: + 49-714-484-9513

AMETEK/Singapore Private Limited
 10 Ang Mo Kio Street 65
 # 05-12 Techpoint
 Singapore 2056
 Tel: + 65-484-2388
 Fax: + 65-481-6588