



**AMETEK**  
**LAMB ELECTRIC**

**Product Bulletin**

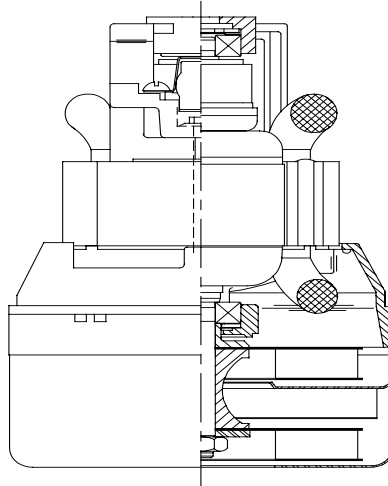
**Model: 116358-00**

**DESCRIPTION**

- Two stage
- 220 volts
- 4.3" / 106 mm diameter
- Double ball bearings
- Single speed
- Thru flow discharge
- Aluminum fan end bracket
- Aluminum commutator bracket

**DESIGN APPLICATION**

- Equipment operating in environments not requiring separation of working air from motor ventilating air
- Designed to handle clean, dry, filtered air only

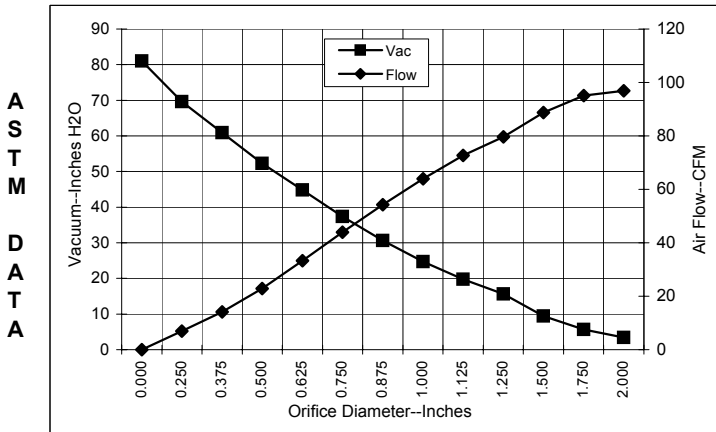


**SPECIAL FEATURES**

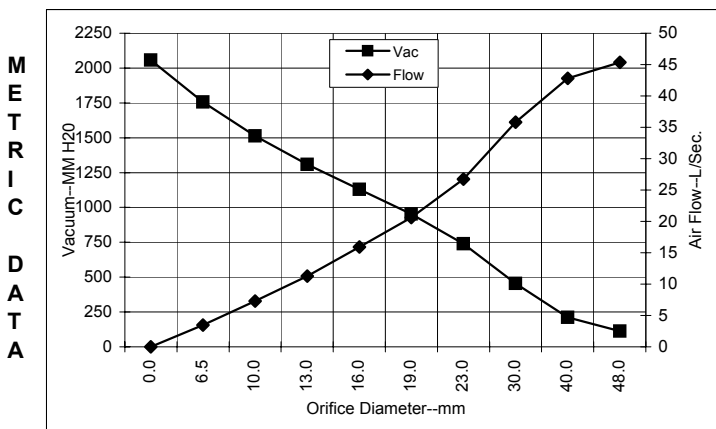
- Suitable for 220 volt AC operation, 50/60 Hz
- UL recognized, category PRGY2 (E47185)
- Provision for grounding
- Skeleton frame design
- The Lamb vacuum motor line offers a wide range of performance levels to meet design needs

**TYPICAL MOTOR PERFORMANCE.\***

(At 220 volts, 60Hz, test data is corrected to standard conditions of 29.92 Hg, 68° F.)



Orifice (Inches)	Amps	Watts (In)	RPM	Vac (In.H <sub>2</sub> O)	Flow (CFM)	Air Watts
2.000	4.2	939	21633	3.4	96.9	39
1.750	4.2	939	21629	5.7	95.1	63
1.500	4.2	935	21669	9.4	88.8	98
1.250	4.2	925	21807	15.6	79.7	146
1.125	4.1	912	21999	19.8	72.7	170
1.000	4.0	889	22341	24.7	63.9	186
0.875	3.9	860	22784	30.6	54.2	195
0.750	3.7	815	23541	37.4	43.9	193
0.625	3.4	757	24635	44.8	33.3	175
0.500	3.1	696	25962	52.3	22.9	141
0.375	2.9	639	27364	60.9	14.1	101
0.250	2.6	592	28731	69.6	7.0	57
0.000	2.4	550	30142	81.0	0.0	0



Orifice (mm)	Amps	Watts (In)	RPM	Vac (mm H <sub>2</sub> O)	Flow (L/Sec)	Air Watts
48.0	4.2	939	21631	112	45.4	50
40.0	4.2	936	21657	210	42.8	88
30.0	4.2	918	21913	455	35.8	159
23.0	3.9	867	22673	740	26.7	193
19.0	3.7	814	23563	954	20.6	193
16.0	3.4	759	24591	1130	15.9	176
13.0	3.1	702	25829	1309	11.3	144
10.0	2.9	648	27154	1514	7.3	107
6.5	2.6	594	28663	1757	3.5	59
0.0	2.4	550	30142	2057	0.0	0

Note: Metric performance data is calculated from the ASTM data above.

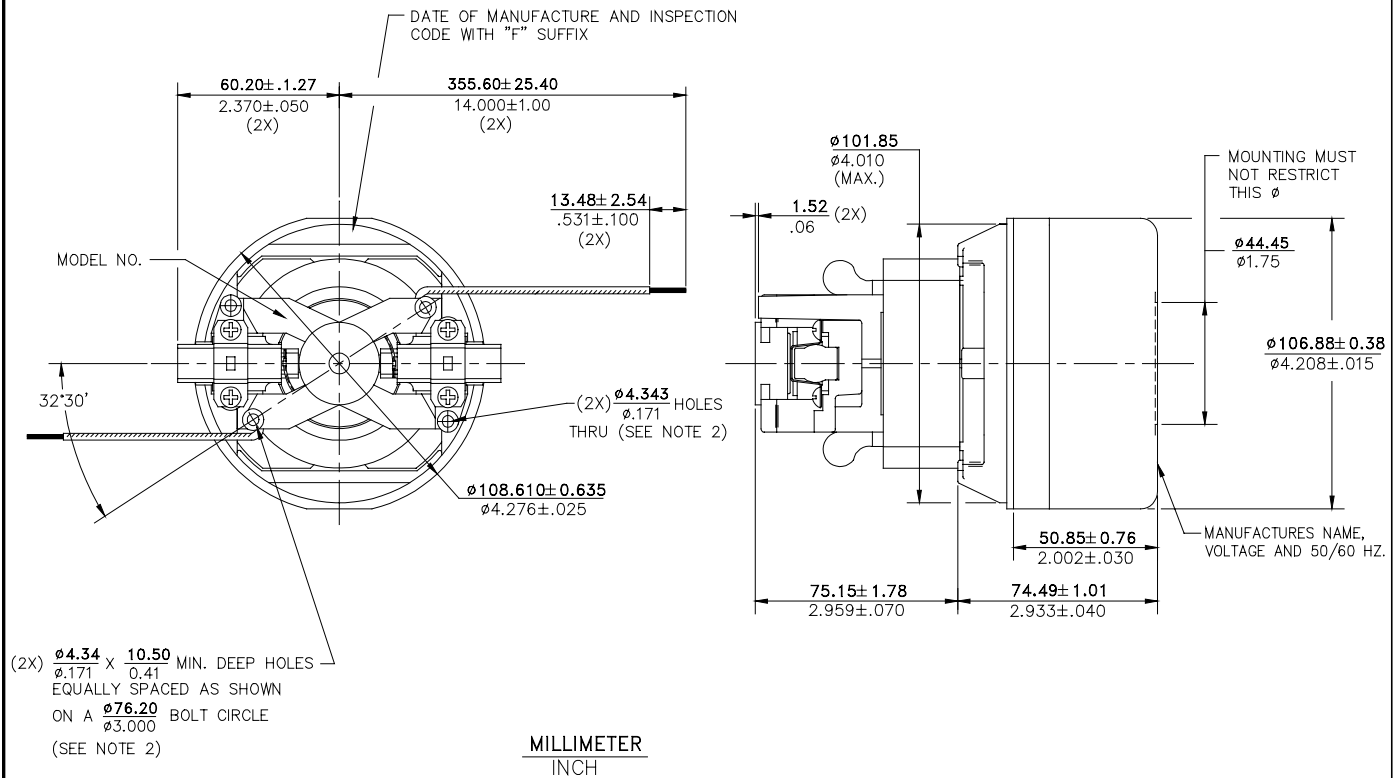
\* Data represents performance of a typical motor sampled from a large production quantity. Individual motor data may vary to normal manufacturing variations.

Test Specs:	220 volts	Minimum Sealed Vacuum:	62.0"	ORIFICE:	7/8"	Minimum Vacuum:	24.0"	Maximum Watts:	900
-------------	-----------	------------------------	-------	----------	------	-----------------	-------	----------------	-----

**DIMENSIONS**

NOTES:

- 1) LEADS: 18 GA. STRANDED. LEADS CAN BE ANY COLOR EXCEPT GREEN OR GREEN WITH YELLOW STRIPE.
- 2) GROUNDING OR EARTHING PROVISION: USE HOLES AS INDICATED FOR GROUNDING OR EARTHING REFER TO APPROPRIATE LISTING OR REGULATORY AGENCY FOR PROPER METHOD OF GROUNDING OR EARTHING



**IMPORTANT NOTE:** Pictorial and dimensional data are subject to change without notice. Contact factory for current revision levels.

**WARNING** - Ametek/Lamb Electric thru-flow vacuum motors must never be used in applications in which wet or moist conditions are involved, where dry chemicals or other volatile materials are present or where airflow may be restricted or blocked. Such motors are designed to permit the vacuumed air to pass over the electrical winding to cool it. Thus any foam, liquid (including water), dry chemical or other foreign substance will come in contact with electrical conductors which could cause combustion (depending on volatility) or electrical shock. Failure to observe these precautions could result in property damage and severe personal injury, including death in extreme cases. All applications incorporating Lamb motors should be submitted to Underwriters Laboratories Inc. or other appropriate organizations or agencies for testing specifically related to the safety of your equipment.

**AMETEK/Lamb Electric Division**  
 627 Lake Street  
 Kent, Ohio 44240  
 U.S.A.  
 Tel: (330) 673-3451  
 Fax: (330) 673-8994

**Ametek GmbH**  
 P. O. Box 1251  
 D-71667 Marbach  
 Germany  
 Phone: + 49-714-484-9512  
 Fax: + 49-714-484-9513

**AMETEK/Singapore Private Limited**  
 10 Ang Mo Kio Street 65  
 # 05-12 Techpoint  
 Singapore 2056  
 Tel: + 65-484-2388  
 Fax: + 65-481-6588