



LAMB®  
VACUUM  
MOTORS,  
BLOWERS  
MODEL 115744

**technical  
bulletin**

VT572-5744

Issued: 11/1/82

Supersedes: 11/15/76

## DESCRIPTION

TYPE: Two Stage, Single Speed, Thru-Flow, 120 Volts, One Ball/One Sleeve Bearing.

DESIGN APPLICATION: Canister-type vacuum cleaners. Equipment not requiring separation of working air from motor ventilating air. Designed to handle clean, dry, filtered air only. For additional application information, write for Bulletin 2-VT570-001.

### SPECIAL FEATURES:

- Component recognized by Underwriters Laboratories, Inc. and Canadian Standards Association (CSA).
- Open frame construction.
- Provision for grounding.
- Thermally protected for locked rotor condition; automatic reset.

All 5.7" diameter thru-flow motors feature face mounting interchangeability. The Lamb vacuum motor line offers a wide range of performance levels to meet design needs.



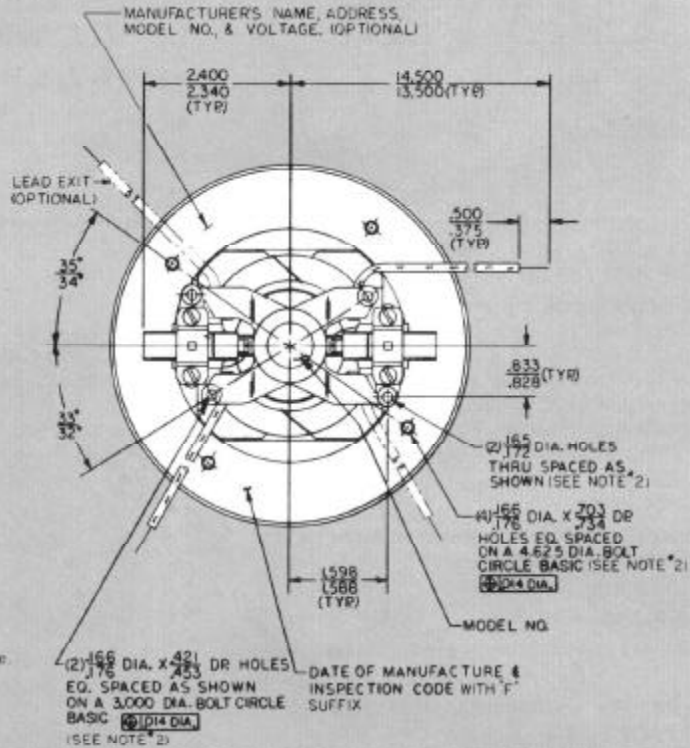
## TYPICAL MOTOR PERFORMANCE\*

(At 120 volts, 60 Hz, test data is corrected to standard conditions of 29.92 inches Hg, 68°F.)

ORIFICE DIAMETER	AMPS	WATTS	RPM	VACUUM (INCHES H.O)	AIR FLOW (CFM)	AIR WATTS	OVERALL EFFICIENCY %
2"	7.3	836	18300	3.4	98	39	4.7
1 3/4"	7.4	846	18100	5.5	96	63	7.5
1 1/2"	7.4	853	18000	9.6	93	105	12.3
1 1/4"	7.5	863	17875	15.9	83	156	18.1
1 1/8"	7.5	862	17850	22.2	79	208	24.2
1"	7.5	854	17950	28.3	71	237	27.7
7/8"	7.3	841	18150	35.8	61	257	30.6
3/4"	7.0	809	18550	43.4	49	253	31.2
5/8"	6.6	758	19925	52.2	37	232	30.5
1/2"	6.0	695	20150	61.2	26	188	27.0
3/8"	5.4	626	21300	70.2	15	130	20.7
1/4"	4.8	565	22575	78.8	7	68	12.1
SEALED	4.5	525	23600	92.4			

\*The performance data specified represents a typical or average motor. If data is required to establish acceptance specifications, contact the factory.

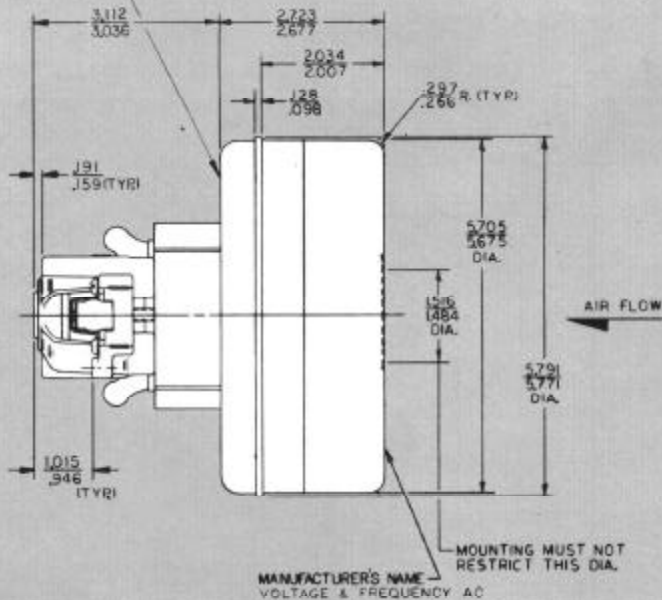
# DIMENSIONS— MODEL 115744



**NOTES:**

1. Leads, #18 Gg, stranded. Leads can be any color except green or green with yellow stripe.
2. Grounding or Earthing Provision: Use holes as indicated for grounding or earthing. Refer to appropriate listing or regulatory agency for proper method of grounding or earthing.

THERMALLY PROTECTED L  
7.5 AMP.



**WARNING—**AMETEK, Inc. Lamb Electric thru-flow vacuum motors must never be used in applications in which wet or moist conditions are involved, where dry chemicals or other volatile materials are present or where airflow may be restricted or blocked. Such motors are designed to permit the vacuumed air to pass over the electrical winding to cool it. Thus any foam, liquid (including water), dry chemical or other foreign substance will come in contact with electrical conductors which could cause combustion (depending on volatility) or electrical shock. *Failure to observe these precautions could result in property damage and severe personal injury, including death in extreme cases.* All applications incorporating Lamb motors should be submitted to Underwriters Laboratories, Inc. or other appropriate organizations or agencies for testing specifically related to the safety of your equipment.



LAMB ELECTRIC DIVISION • 627 LAKE STREET, KENT, OHIO 44240  
TELEPHONE: (216) 673-3451 TELEX: 986497 CABLE: LAMETEK